

**HYUNDAI**  
POWER PRODUCTS

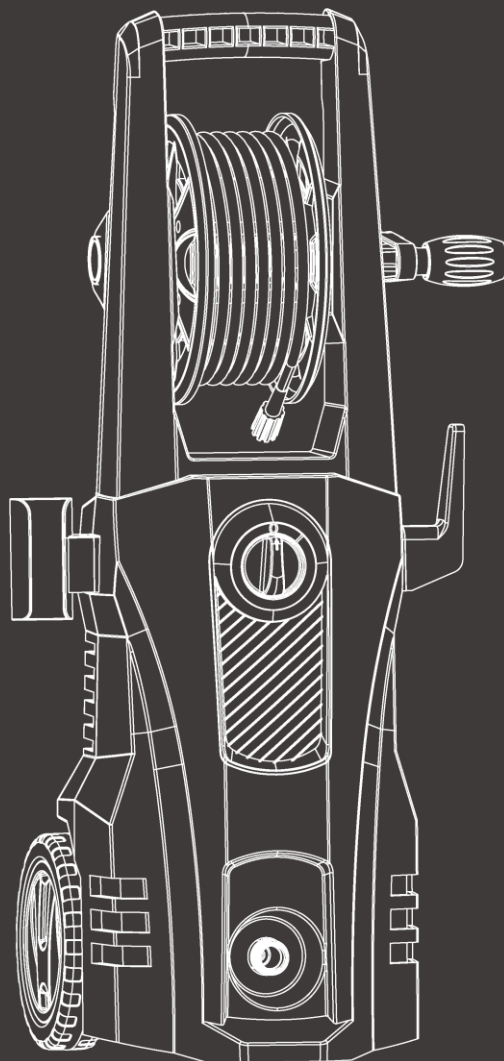
# **HIGH-PRESSURE WASHER**

## **HNHP2065**

---

ORIGINAL INSTRUCTIONS

**CAUTION: READ THE INSTRUCTIONS BEFORE USING THE MACHINE**



## **SAFETY INSTRUCTIONS**

- Use this unit as described in this manual. Any mishandling and any use contrary to instructions for use shall in no case be the responsibility of the manufacturer.
- Failure to observe the safety and operating instructions may result in a risk of electric shock, fire and / or personal injury.
- If you are giving this unit to another person, please also provide this manual.
- Do not use attachments other than those recommended by the manufacturer; they can damage the unit and / or cause injury.
- Machines shall not be used by children. Children should be supervised to ensure that they do not play with the appliance.
- This machine can be used by people with reduced physical, sensory or mental capabilities or lack of experience and knowledge if they have been given supervision or instruction concerning use of the machine in a safe way and understand the hazards involved.
- Children shall not play with the appliance.
- If the supply cord is damaged, it must be replaced by the manufacturer, its service agent or similarly qualified persons in order to avoid a hazard.
- Before any connection, check:
  - The appliance, power cable and accessories are

not damaged. In this case, do not use the appliance and take it to your dealer for inspection and repair.

- The voltage indicated on the rating plate of the appliance corresponds to that of your electrical installation.
- Do not disassemble the device yourself. Any disassembly, repair or inspection should be carried out exclusively by a qualified person.
- Do not touch the plug with wet hands. Do not allow the plug to fall into the water.
- Do not walk on the power cord, do not exert excessive pressure, or pull on the cord to avoid damage.
- WARNING: This

machine has been designed for use with a cleaning agent supplied or recommended by the manufacturer. Use of other cleaning or chemical agents may affect the safety of the machine.

- WARNING: High pressure jets can be dangerous if subject to misuse. The jet must not be directed at persons, live electrical equipment or the machine itself.
- WARNING: Do not use the machine within range of persons unless they wear protective clothing
- WARNING: Do not direct the jet against yourself or others in order to clean clothes or footwear.
- WARNING: Risk of explosion. Do not spray flammable liquids.

- **WARNING:** High pressure cleaners shall not be used by children or untrained personnel.

- The machine shall be disconnected from its power source during cleaning or maintenance and when replacing parts or converting the machine to another function.

- **WARNING:** High pressure hoses, fittings and couplings are important for the safety of the machine. Use only hoses, fittings and couplings recommended by the manufacturer.

- **WARNING:** To ensure the safety of the machine, use only the original manufacturer's parts or approved by the manufacturer.

- **WARNING:** Water that has flowed through backflow

preventers is considered to be non-potable.

- **WARNING:** The machine must be disconnected from the power supply during cleaning or maintenance and when replacing parts or converting the machine to other functions by removing the power source plug.

- **WARNING:** Do not use the machine if a supply cord or important parts of the machine are damaged, e.g. safety devices, high pressure hoses, trigger gun.

- **WARNING:** If an extension cord is used, the plug and cable must be watertight.

- **WARNING:** Inadequate extension cords can be dangerous. If an

extension cord is used, it shall be suitable for outdoor use, and the connection has to be kept dry and off the ground. It is recommended that this is accomplished by means of a cord reel which keeps the socket at least 60 mm above the ground.

- **WARNING:** Make sure there are no exhaust emissions near the air intakes.
- Children, animals and persons not participating in the use of the machine must remain at a minimum distance of 10 meters from the sprayer.
- The high pressure hose must remain connected to the compressor as long as the system is under pressure.
- Do not use corrosive or flammable liquids

in the machine.

- The appliance must be connected to a water supply using a new set of hoses; the old pipe set must not be reused.
- Make sure that there are no exhaust emissions near the air inlets.
- When using the machine, wear protective equipment including safety goggles, safety shoes, safety gloves, safety helmet with visor and double-insulated hearing protection.
- In order to move the unit easily, bend the lance.
- Make sure the unit is turned off and unplugged before transporting the unit.
- The connection to the power supply must be made by a qualified electrician in

accordance with IEC60364-1. It is recommended that the power supply of this machine includes a residual current device that interrupts power if the earth leakage exceeds 30 mA for 30 ms or a device that will homologue the earth circuit.

- Before assembling, dismantling, repairing, transporting, servicing and storing, please check if the appliance is disconnected from the power supply.
- Handle the unit with care, do not drop it.
- Do not use the machine in extreme weather conditions, when it is very cold. Do not use the machine with ice water.
- Use the tool in a stable and plane

location.

- The inlet hose can be connected to the water mains with a maximum pressure of 10 bars.
- If the device is to be connected to a drinking water network (exclusively in Europe), an appropriate network valve must be installed (type BA, standard EN1717). Water that will be passed through the valve is considered non-potable.
- **WARNING:** In order to avoid any danger due to the accidental reset of the thermal circuit breaker, this device must not be powered via an external switch, such as a timer, or be connected to a circuit which is regularly connected switched on and off by the electricity supplier.

- The appliance must not be connected to potable water supply.
- CAUTION: In order to avoid danger due to untimely resetting of the thermal cut-out, this device must not be powered by an external switch, such as a timer, or connected to a circuit that is regularly switched on energized and de-energized by the electricity supplier.
- When transporting the machine, take note of its weight. Do not overestimate your efforts and get help if necessary.
- The machine must be transported from one point to another and disconnected. Always use the handle to push the machine.
- Use the handle to lift the machine.
- Improper transport of the machine may result accidents and injuries.
- Do not use the tool where dangerous situations or accidents may occur. Do not use it indoor, in places where are exhausted gases, etc.
- In case of accidents or breakdowns, stop to use the tool, switch off it and unplug it. Check the conditions of the tool and bring it to a service agent for inspection and reparation if necessary.
- When opening the trigger gun, pay attention to the kickback force. The power of the gun can cause a kickback and can produce a loss of control of the gun and create accidents and injuries. Hold the gun firmly, and with both hands if possible.

- **WARNING** Always switch off the mains disconnecting switch when leaving the machine unattended.

- To avoid dangerous situations in the event of an accident (for example, contact with or spill of detergents) or equipment failure (such as a puncture or a component failure), please stop using the machine immediately. Check the problem. Have the machine inspected by a qualified technician. In the event of an overflow, move the machine away and clean the overflow.

- **WARNING** Always turn off the main switch when leaving the machine unattended.

- During use, transport, assembly, disassembly, in case of failure, during

foreseeable tests or breakdowns, the tool must always remain upright.

- Do not use the tool in dangerous situations or when an accident has occurred. Do not use indoors, in places where gases can be emitted, etc.

#### **Intended use**

Your PRESSURE CLEANER can perform a myriad of tasks in the house and in the garden. It effectively cleans a wide variety of surfaces.

Your PRESSURE CLEANER is designed to operate from a cold water supply.

It operates efficiently with water whose temperature is between 5 and 60 degrees.

Your PRESSURE CLEANER has been designed for outdoor use only on materials such as stone, wood and plastics. Please check, before use, whether materials can be cleaned with your sprayer; the manufacturer cannot be held responsible for any damage resulting from improper use.

The main applications of this product are household cleaning tasks such as:

- Cars, motorcycles, bicycles;
- Patios, fences, garden walls, pathways, garages and facades of houses;
- To remove algae and mosses from roofs, brick walls and gutters;
- For cleaning of gardening tools and machinery, furniture and grills;
- For hygiene and maintenance of kennels, stables, etc. and their surroundings;

It is especially useful for cleaning muddy sidings.



The sprayer alone is capable of performing most of the garden cleaning tasks or on buildings. The detergent is useful for cleaning vehicles and other painted surfaces.

## Residual risks

Even if you are operating this product in accordance with all the safety requirements, potential risks of injury and damage remain. The following dangers can arise in connection with the structure and design of this product:

Health defects resulting from vibration emission if the product is being used over long periods of time or not adequately managed and properly maintained.

Danger of injury and property damage caused by flying objects.

Injuries and damage to property due to broken accessories or the sudden impact of hidden objects during use.

## Lock trigger gun

This lock locks the lever of the trigger gun and prevents the inadvertent start of the appliance.

Water that has flowed through backflow preventers is considered to be non-potable.

## Pressure switch

If the lever on the trigger gun is released the pressure switch turns off the pump, the high-pressure jet is stopped. If the lever is pulled the pump is turned on again.

## Motor protection switch

The motor protection switches off the device if the power consumption is high.

## Personal protective equipment



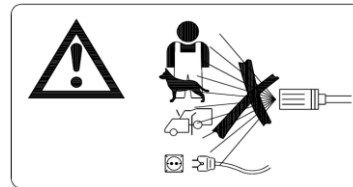
CAUTION

Wear protective clothing and safety

goggles to protect against splash back containing water or dirt.

During the use of high-pressure cleaners' aerosols can develop. Inhaling aerosols can cause health damage. Wear protective mask.

## Symbols on the machine



The high-pressure jet must not be directed at persons, animals, live electrical equipment or at the appliance itself.



The appliance must not be directly connected to the public drinking water network.



Sound Guarantee sound power level

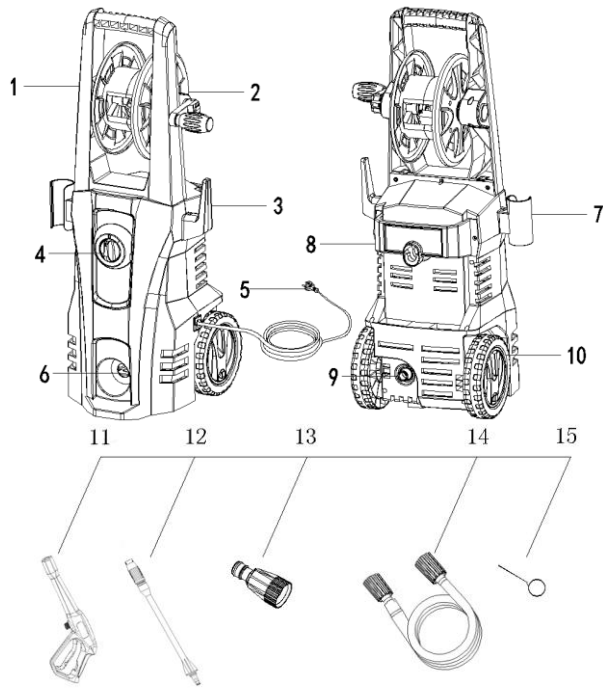


Read instruction manual



Wear ocular protection

## Description of the machine



- 1.Handle
- 2.High-pressure hose reel
- 3.Power cord hook
4. Switch 0/1
- 5.Power cord
- 6.Water inlet
- 7.Trigger gun holder
8. Support storage
9. Water outlet
- 10.Wheel
11. Spray gun
- 12.Spray lance
13. Water inlet connector
14. High pressure hose
15. Nozzle cleaning tool (in option depending the model)

## Technical specifications

Voltage	220-240V ~
Frequency	50/60Hz
Watt	2000W
Protection Class	II
Degree of protection	IPX5
Rated pressure	11MPa
Allowable pressure	16.5MPa
Rated flow	6.0l/min
Max. flow	7.2l/min
Max. inlet pressure:	0.7Mpa
Weight	8,8 kg
Sound power level	Lwa: 92 dB(A)
Sound pressure level	Lpa: 75 dB(A) K= 3 dB(A)
Vibration	3 m/s <sup>2</sup> K= 1,5 dB(A)

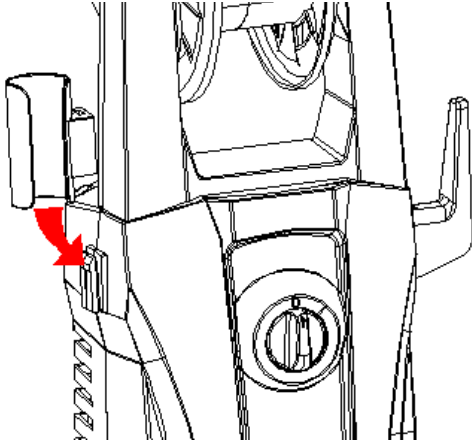
## Assembly

### Mount loose parts delivered with appliance prior to start-up

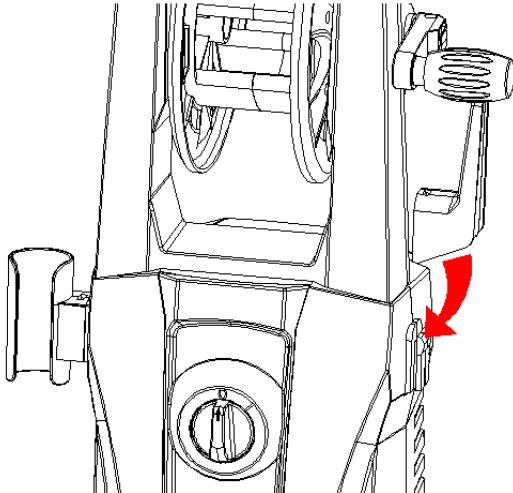
1. If not assembled, insert the high pressure hose reel above the machine (follow the guide rail). Screw it in place with the 2 provided screws on both sides.
2. Install the detached frame behind the machine and screw it with the

two provided screws. This place will help to store easily the accessories.

3. Slide the trigger gun holder into position of unit left.

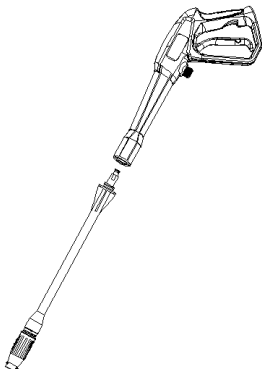


4. Slide the power cord hook into position of unit right.



#### 5. Installing the spray wand

- Insert firmly the spray wand into the gun and rotate it clockwise to lock it.
- To remove the spray wand, turn it anticlockwise and pull it from the gun.



NOTE: The two supplied spray wand are installed in the same way.

#### 6. Installation of the patio cleaner (NOTE: This accessory is not included for this model)

Use this accessory to clean terraces, driveways, etc.

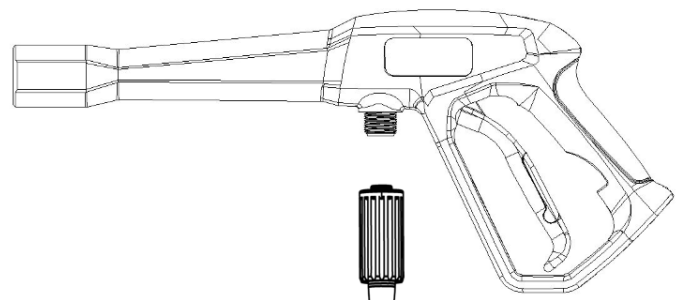
- On the gun, firmly insert the extension tube and then turn it clockwise to lock it. Then install the patio cleaner on the tube and screw it in to lock it.
- To remove the patio cleaner, turn the extension tube counterclockwise and pull it out to remove it.

#### 7. Installation of the brush

- Insert the brush firmly into the trigger gun, and then turn it clockwise to lock it.
- To remove the brush, turn it counterclockwise and pull it out of the gun to remove it.

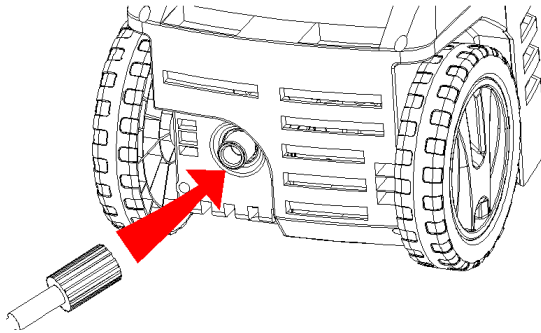
#### 8. Connect the high-pressure hose to the trigger gun

- Connect the sliver end of the high-pressure hose to the trigger gun and twist the nut as indicated to secure the connection.



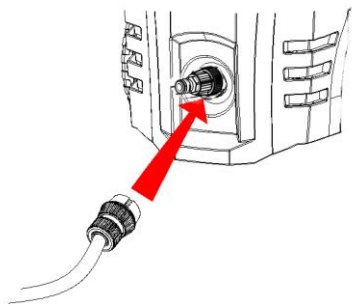
9. Connect the high-pressure hose to the water outlet

- Connect the other end of the high-pressure hose to the water outlet on the washer and twist the black rotatable end-piece as indicated to secure the connection.



10. Connect to water supply

Install the fitting (it must be screwed to the water inlet). Then connect the water supply hose to the water inlet of the machine.



- The minimum recommended length for the water supply pipe is 10 meters (but not more than 25 meters) with a diameter of 12.5 mm to avoid back pressure and any potential damage to your appliance. Make sure it can withstand water and a maximum pressure of 10bar (0.1Mpa). If you want to connect your device to other water sources, make sure the maximum water inlet pressure is 10bar (0.1Mpa).

## Start up

### Before starting

**NOTE:** Never operate the sprayer without first opening the water supply!

Never open the sprayer cover during operation. Do not use the sprayer in hazardous environments and places where explosive substances are stored

Do not put water in materials containing asbestos and other materials dangerous to health

Do not use liquids containing organic solvents, acids or petroleum-based solvents, paint or oil whose vapors are highly flammable, explosive and toxic. Acetone compounds, acid solvents are corrosive and may damage the device.

Open the tap but do not start the machine immediately.

- Turn the 0/1 switch button on the position 1 to switch on the machine.
- If the yellow tab of the trigger is on horizontal position, pull it in vertical to unlock the lever of the trigger gun.
- Push the lever of the trigger gun, the device will switch on.
- Let the device run (max. 2 minutes) until the water exits the trigger gun without bubbles.
- Release the lever of the trigger gun.
- Lock the lever of the trigger gun by pulling the yellow tab on horizontal position.

## Operation

### ATTENTION


Dry running of more than 2 minutes leads to damage of the high-pressure pump. If the appliance does not build up pressure within 2 minutes, switch the appliance off and proceed in

accordance with the instructions in Chapter "Troubleshooting"

## High pressure operation

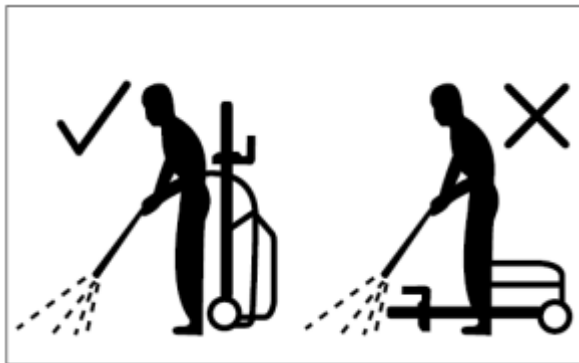
 CAUTION

Keep a distance of at least 30 cm when using the jet for cleaning painted surfaces to avoid damage.

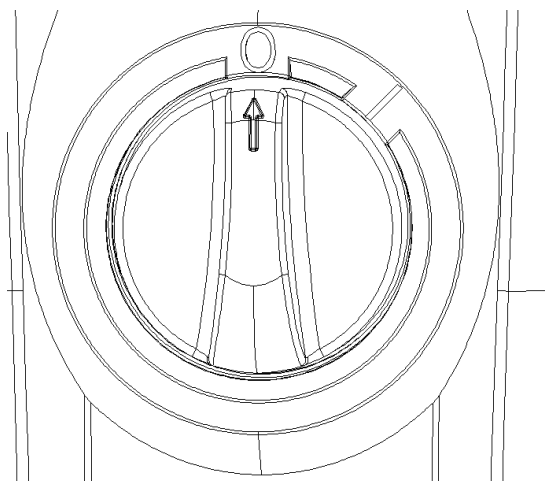
 CAUTION Make sure that the machine is switched off (on position 0) and insert the plug into a properly installed socket.

### ATTENTION

- The washer must be used on a secure and stable surface in an upright position.



- Turn on the switch "0/1" to the 1 position.



- Hold the spray gun with both hands. Direct the water jet to the object to be cleaned and press the trigger.

Release the lever of the trigger gun; the device will switch off again and stop the water jet. High pressure remains in the

system.

**WARNING!** Beware of kickback when pressing the trigger!

## Operation with detergent

Detergent can only be added when the unit is used in low pressure mode.

 DANGER

When using detergents, the material data safety sheet issued by the detergent manufacturer must be adhered, especially the instructions regarding personal protective equipment.

Remove the cap of the clean detergent bottle.

Fill the bottle with detergent designed specifically for use with pressure washers.

Put the cap on the bottle and close it. Push firmly the bottle in the gun and turn it clockwise to lock it in place.

To remove the detergent bottle, turn it anticlockwise and pull it from the gun.

## Recommended cleaning method

- Spray the detergent sparingly on the dry surface and allow it to react, but not to dry.
- Spray off loosened dirt with the high pressure Met.

## Interrupting operation

- Release the trigger gun lever.
- Lock the trigger gun lever by pulling the yellow tab to the horizontal position.
- Place the trigger gun with the lance in the park position.
- During longer breaks (more than 5 minutes), also set switch "0/1" to position 0 to switch off the machine.

## Finish operation

- Release the lever of the trigger gun.
- Turn the "0/1" switch to the position 0 to switch off the machine.

- Disconnect the mains plug from the socket.

Only separate the high-pressure hose from the trigger gun or the device when there is no pressure in the system.

#### TURN OFF TAP

- Pressure the lever of the trigger gun to release any remaining pressure in the system.
- Release the lever of the trigger gun.
- Lock the lever of the trigger gun.

#### ATTENTION

- When disconnecting the supply or high-pressure hose, warm water may leak from the connection after operation.
- Detach the appliance from the water supply.

## Transportation



#### CAUTION

Risk of personal injury or damage!

Mind the weight of the appliance during transport.

### When transporting by hand

- Switch the product off and disconnect it from the water and power supply.
- Pull out the transport handle until it audibly snaps into place. Attach transportation guards, if applicable.
- Pull the appliance by its transport handle.

### When transporting in vehicles

- Prior to horizontal transport: close the cap of clean detergent bottle.
- Tilt the product towards you until it balances on the wheels. Then move it by its transportation handle.
- Protect the product from any heavy impact or strong vibrations which may occur during transportation in vehicles.
- Secure the appliance against shifting

and tipping over.

## Storage



#### CAUTION

Risk of personal injury or damage!

Consider the weight of the appliance when storing it.

### Storing the appliance

- Park the machine on an even surface.
- Detach spray lance from the trigger gun.
- Pull the high-pressure hose out of the trigger gun.
- Place the trigger gun into its support
- Place the others accessories in their support behind the machine.
- Coil the high-pressure hose and hang it over the hose storage.
- Prior to extended storage periods, as during the winter, also observe the instructions in the care section.
- Always store the pressure cleaner, parts, and accessories in a place that is inaccessible to children. The ideal storage temperature is between 10 °C and 30 °C. Store the power washer indoors to prevent the water in the unit from expanding under freezing conditions.
- We recommend using the original package for storage or covering the product with a suitable cloth or enclosure to protect it against dust.

### Frost protection

#### ATTENTION

Appliance and accessories that are not completely drained can be destroyed by frost.

Completely drain appliance and accessories and protect them against frost. To avoid damage:

- Detach the appliance from the water supply.
- Detach spray lance from the trigger gun.
- Turn the "0/1" switch to the position 1 to switch on the machine
- Push the lever of the trigger gun until

no more water is escaping.

- Release the lever of the trigger gun.
- Lock the lever of the trigger gun.
- Turn the “0/1” switch to the position 0 to switch off the machine.
- Store the appliance and the entire accessories in a frost-free room.

## Care and maintenance



**DANGER**

Risk of electric shock

Prior to all work on the appliance, switch off the appliance and pull the power plug.

### High pressure hose

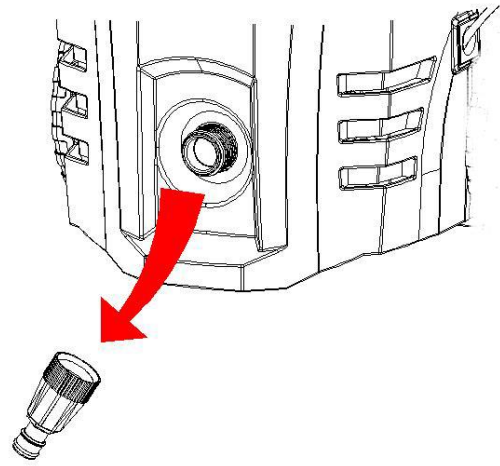
The high-pressure hose is specially constructed with reinforced walls it can be easily damaged and should be stored carefully.

- Do not kink.
- Do not drive vehicles over the hose.
- Do not expose the hose to sharp edges or corners. Misuse will lead to ballooning or premature failure and will invalidate warranty.

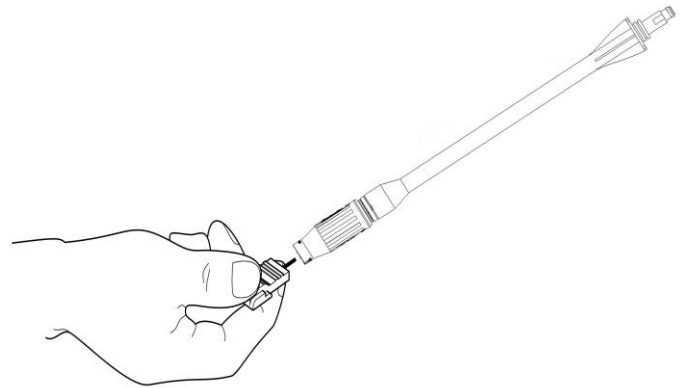
### Clean the sieve in the water connection

Clean the sieve in the water connection regularly.

Remove coupling from the water connection, and rinse with warm water to prevent any foreign matter from clogging the pump.



Clean the nozzle with the needle clean-out tool provided. Remove the spray wand from the gun. Remove any dirt from the nozzle hole and rinse.



### ATTENTION

- The sieve must not be damaged.
- Pull the sieve out using flat pliers.
- Clean the sieve under running water.
- Reinsert the sieve into the water connection.

## Troubleshooting

**DANGER** Risk of electric shock.

Turn off the appliance and remove the main plug prior to performing any care and maintenance work. Repair work and work on the electrical components may not only be performed by an authorized customer service. You can rectify minor faults yourself with the help of the following overview. If in doubt, please consult the authorized customer service.

Symptom	Cause	Recommended action
Machine refuses to start	Machine not plugged in Defective socket Fuse has blown Defective extension cord	Plug in machine Try another socket. Replace fuse. Switch off other machines. Try without the extension cord.
Fluctuating pressure	Pump sucking air Valves dirty, worn out or stuck Pump seals worn out	Check that hoses and connections are airtight. Clean and replace or refer to local distributor Clean and replace or refer to local distributor
Machine stops	Incorrect mains voltage Thermal sensor activated Nozzle partially blocked	Check that the mains voltage corresponds to specification on the model tag. Leave the washer for 5 minutes to cool down. Clean the nozzle
Machine pulsating	Air in inlet hose Inadequate supply of mains water Nozzle partially blocked Water filter blocked Hose kinked	Allow machine to run with open trigger until regular working pressure resumes. Check that the water supply corresponds to specifications required NB! Avoid using long, thin hoses (min. 1/2"). Clean the nozzle /Clean the filter Straighten out hose.
Machine starts, but no water comes out	Pump/hoses or accessory frozen No water supplies Water filter blocked /Nozzle blocked	Wait for pump/hoses or accessory to thaw. Connect inlet water. Clean the filter /Clean the nozzle



## Accessories

A choice of accessories is supplied in the scope of the delivery of this product. Please check the technical specification of any accessories that you purchase to ensure they are compatible with this product.

## Warranty

We guarantee this product for 2 full years.

The warranty period for this item starts on the day of purchase. You can prove the date of purchase by sending us the original receipt.

We insure over the entire warranty period:

- Free repair of possible malfunctions.
- Free replacement of damaged parts.
- Including the free service of our specialized personnel (i.e. free assembly by our technicians)

Provided that the damage is not due to improper use of the device.

To help you with your product, we invite you to use this link or call us on +33 (0)9 70 75 30 30:

<https://services.swap-europe.com/contact>

You must create a "ticket" via their platform:

- Register or create your account
- Indicate the reference of the tool
- Choose the subject of your request
- Explain your problem
- Attach these files: Invoice or receipt, identification plate photo (serial number), photo of the part you need (egg broken transformer plug pins)



## DECLARATION OF CONFORMITY



BUILDER SAS

ZI, 32 rue Aristide Bergès – 31270 Cugnaux - France

Declares that the machinery designated below:

HIGH-PRESSURE CLEANER

Ref.: HNHP2065

Serial number:

Complies with the provisions of the Directive “machinery” 2006/42/CE  
and national laws transposing it:

Also complies with the following European directives:

EMC Directive 2014/30/EU

ROHS Directive 2011/65/EU

Directive on environmental noise emissions from equipment  
intended for use outside buildings 2000/14/EC

Guaranteed Sound Power Level: 92 dB(A)

Also complies with European standards, with national standards  
and the following technical provisions:

EN 60335-1:2012+A11:2014

EN60335-2-79:2012

EN 62233:2008

EN 55014-1:2006+A1:2009+A2:2011

EN 55014-2:2015

EN 61000-3-2:2014

EN 61000-3-3:2013

Issued in Cugnaux, on 12/09/2019

A handwritten signature in black ink, appearing to read 'Philippe MARIE'.

Philippe MARIE / PDG

**HYUNDAI**  
POWER PRODUCTS

**For Inquiries, Please Contact:**

BUILDER SAS  
32, rue Aristide Bergès Z1 31270 Cugnaux, France  
Tel. +33 (0) 5.34.502.502 Fax: +33 (0) 5.34.502.503  
<http://www.hyundaipower-fr.com/>  
Made in PRC